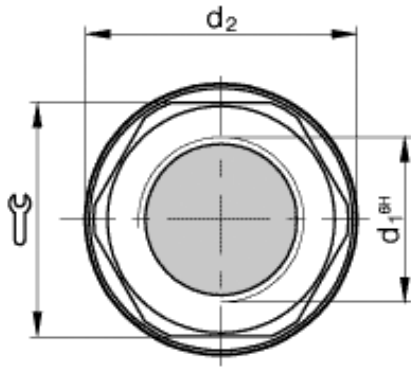
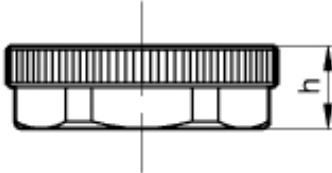


Accessories: Mounting unit Mutter M30x1.5, PA6.6



PXKMMUTT



Common Data

Version

Nut, plastic

Usable with

stainless steel sensors with
thread M30x1.5

Mechanical Data

Measurements WxHxD or Dia x D

SW36, h=8mm

Material

PA6.6

Datasheet number::

Definitions see general catalog.

If not otherwise noted, ratings according to
IEC 60947-5-2 (DIN EN60947-5-2)

Balluff GmbH
Schurwaldstrasse 9
73765 Neuhausen a.d.F.
Phone (07158) 173-0 Fax (07158) 5010

Datenblatt by CD-ROM - 04/2007

BALLUFF
sensors worldwide